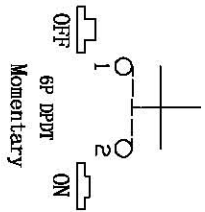
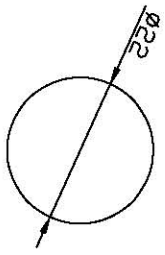
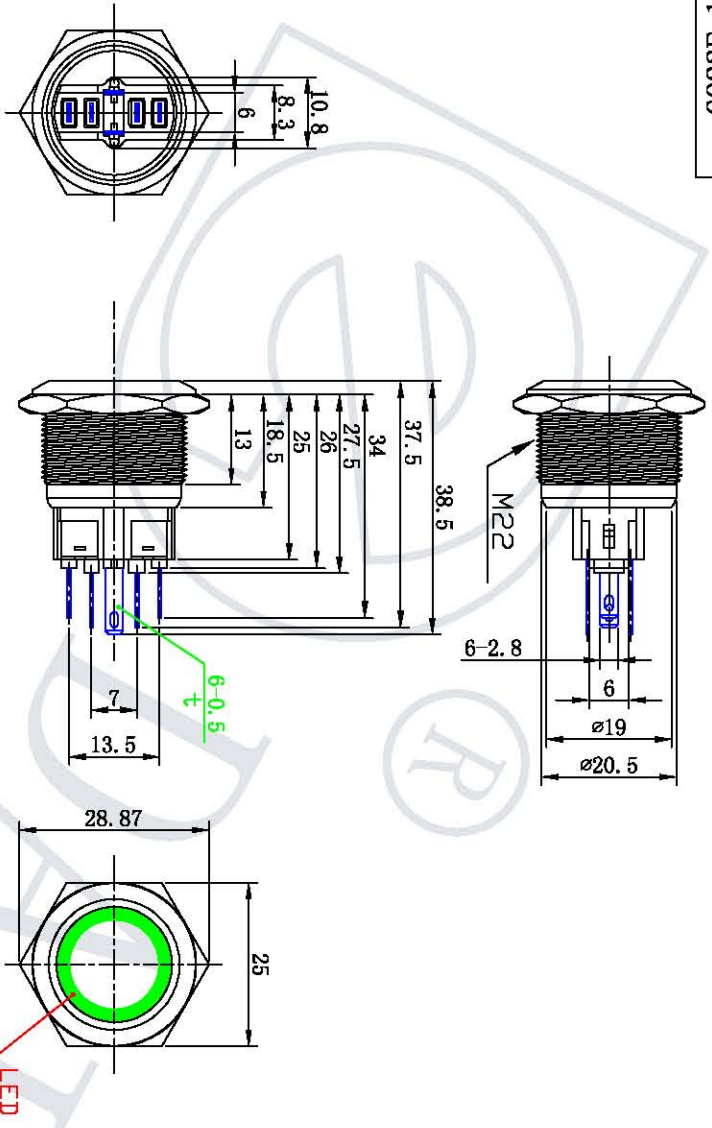


MEM-1F220G



**SPECIFICATIONS**

1	Contact Rating:5A @ 250V
2	Electrical Life:50,000cycles
3	Contact Resistance:50m-ohms max(initial)
4	Insulation Resistance:1,000M-ohms min @ 500VDC
5	Dielectric Strength:2,000V RMS 50 ~ 60Hz
6	Operating Temperature:-20° C ~ +55° C
7	Switch function :IND INC
8	IP Class:IP65 Protection
9	Torque:5~14Nm max.applied to nut
10	Operating Force:5N max
11	LBD Color:(red, green, yellow, blue, white)

**MATERIALS**

1. Button:Stainless Steel
2. Bushing & Bezel:Stainless Steel
3. Base:PC
4. Contact :Silver,Gold Plated
5. Nut :Nickel plated brass

设计		审核		批准		阶段标记		数量	重量	比例
标注	处数	分区	更改文件号	标准化	签字	日期	第一	1		1:1
<b>按钮开关</b>							Yaoqing Daler Electron co., Ltd		Push Button Switch	
							GQ22F-11EM			