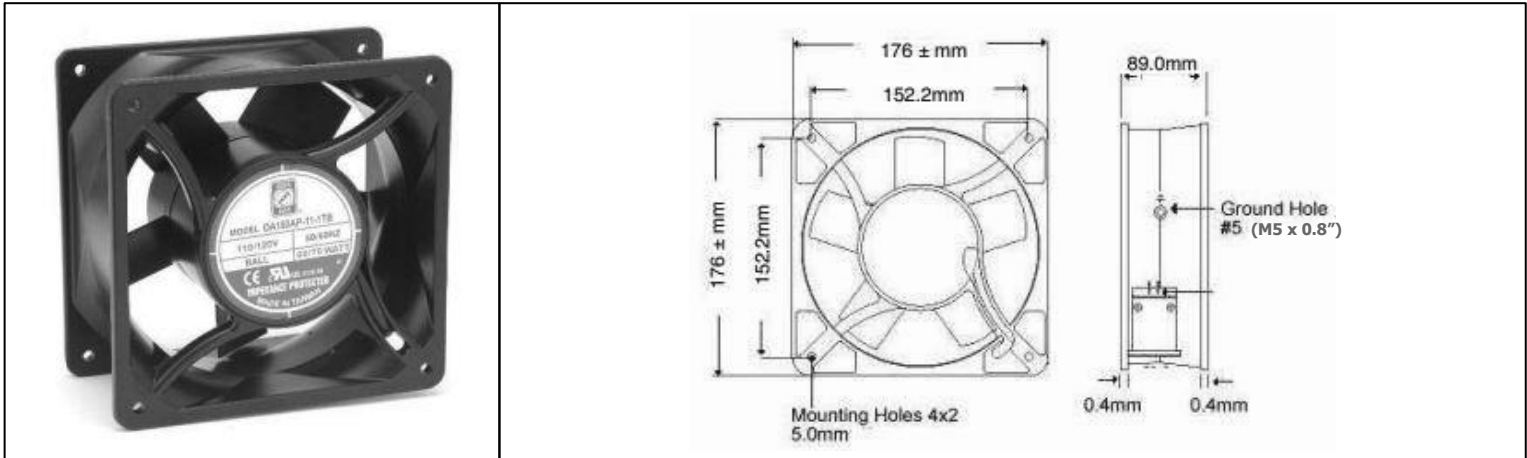


# OA180AP Series



AC Fan - 115V, 230V  
176 x 89mm (6.9" x 3.5")



Frame	Diecast Aluminum	<u>Operating Temperature</u> -20°C ~ +80°C  <u>Storage Temperature</u> -40°C ~ +80°C  <u>Life Expectancy</u> 60,000 hours (L10 at 40°C)  Weight: 4.0 lbs  m0	
Impeller	PBT, UL94 V-0 plastic		
Connection	2x Lead wires 20 AWG or terminals		
Motor	Capacitor Drive, Thermally Protected		
Bearing System	Dual Ball Bearings		
Dielectric Strength	1,500 VAC/min, 50/60Hz		
Insulation Resistance	>100M ohm between leadwires and frame (500 VDC)		

Part Number	Nominal AC Voltage	Rated Power (50/60Hz)	Voltage Range (VAC)	Rated Speed (RPM)	Airflow (CFM)	Noise Level (dB)	Max. Static Pressure
OA180AP-11-1*	115 VAC	70 W	60 ~ 130	3350	375	62	0.86" H <sub>2</sub> O
OA180AP-22-1*	230 VAC	70 W	120 ~ 260	3350	375	62	0.86" H <sub>2</sub> O

\* Indicates "TB" for terminal or "WB" for wire leads